



# KB310 & KB311, KB300 & KB301 Replacement Strap Instructions

P/N 310-44-KIT

## Tool Needed



Phillips Head  
Screwdriver

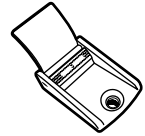
## Hardware Provided



Flat Head Phillips Screws  
Quantity: 2



Strap  
Quantity: 1



Buckle  
Quantity: 1

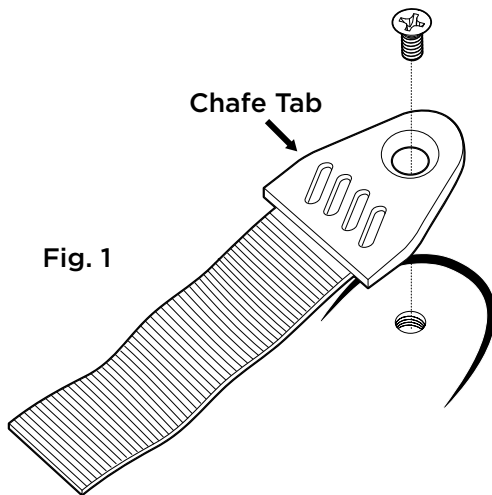


Fig. 1

## Step 1:

- Open the baby changing station. Remove the screws that secure the old strap and buckle to the unit. Discard the old strap, buckle and screws.

## Step 2:

- Use one of the supplied screws through the hole in the chafe tab of the strap and into the hole of the bed that is closer to the bed liner dispenser. **Fig. 1**

## Step 3:

- Use the second supplied screw to install the buckle. Make sure the buckle is positioned correctly. **Fig. 2**

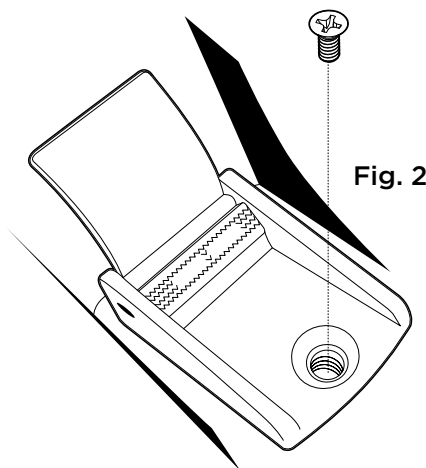


Fig. 2

## Step 4:

- Grab the loose end on the strap and thread it through the buckle. Check that the strap is held firmly in place when buckle is depressed over it.

## Step 5:

- Clean up and close the unit.

**Koala Kare Products**  
A Division of Bobrick

6982 South Quentin Street, Centennial, CO 80112-3945

**Main:** 303.539.8300 | **Toll Free:** 888.733.3456 | **Fax:** 303.539.8399

**Website:** koalabear.com | **Email:** customerservice@koalabear.com