



# KB310-SSRE & KB311-SSRE

## Shock Replacement Instructions

P/N 310-58-RE-KIT

### Tools Needed

### Hardware Provided



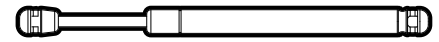
Phillips Head  
Screwdriver



Flat Head  
Screwdriver

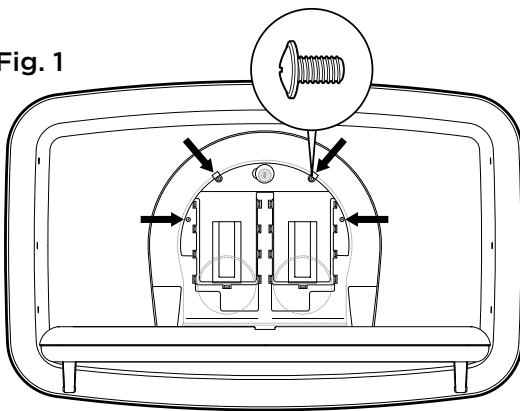


13mm  
Socket Wrench



Shock  
Quantity: 1

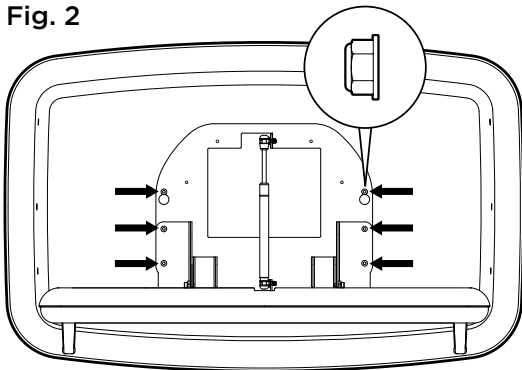
Fig. 1



### Step 1:

- Unlock the plastic liner dispenser with the included key and remove the four screws securing the liner dispenser to the frame. **Fig. 1** Remove liner dispenser from wall.

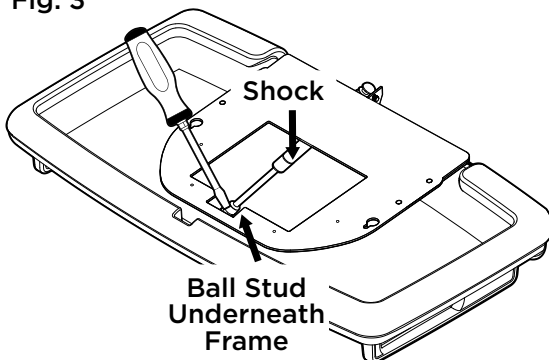
Fig. 2



### Step 2:

- There should be six hex nuts holding the metal mounting frame to the flange. **Fig. 2** Remove all six hex nuts. Keep all nuts to remount the unit.
- **Do not remove the side mounting screws.**

Fig. 3



### Step 3:

- Once the unit is removed from the wall, allow the unit to close and lay it flat on a non-abrasive table or countertop with the frame side facing up.
- Place a piece of cardboard, towel or similar between the frame and the bed surface to protect the bed surface from the exposed frame.

### Step 4:

- Using a flat head screwdriver, release the tension on the "C" clip, which holds the bottom of the shock to the ball stud, by sliding the screwdriver between the "C" clip and the head of the shock. Once the tension is released pull the head of the shock off the ball stud. Repeat this for the other end of the shock. **Fig. 3**



# KB310-SSRE & KB311-SSRE

## Shock Replacement Instructions

---

Fig. 4

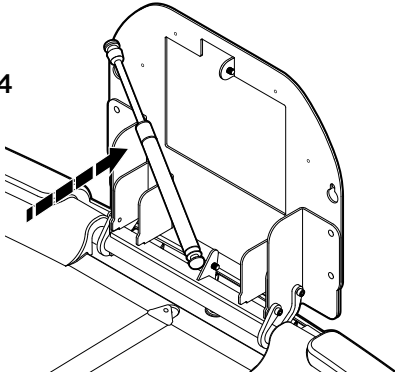


Fig. 5

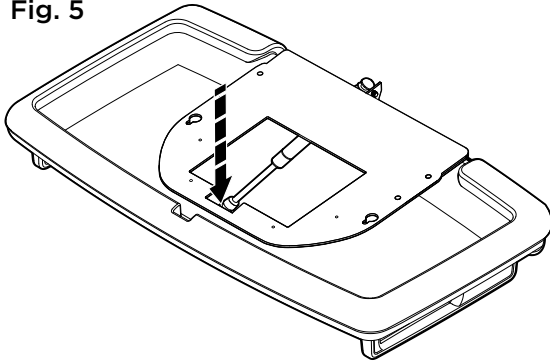
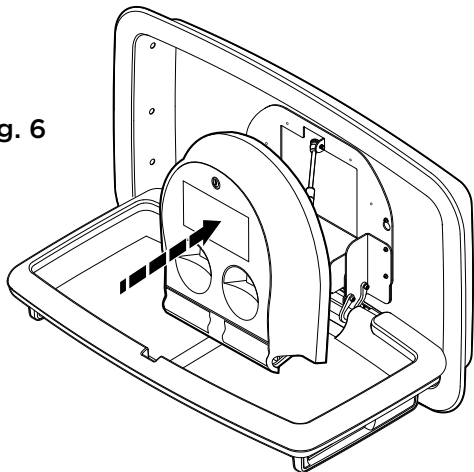


Fig. 6



### Step 5:

- Take the new shock and attach the thick end to the ball stud closest to the bottom of the frame by pushing it until you hear it click into place. **Fig. 4** Twist the head back and forth to ensure it is secure.

### Step 6:

- Take the other end of the shock in one hand and the wall portion of the frame in the other. Slightly push down on the frame until the head of the shock lines up with the ball stud. Push the shock onto the ball stud until it clicks into place. **Fig. 5** Twist the head back and forth to ensure it is secure.

### Step 7:

- Remount the unit using the mounting holes and the nuts. Tighten all six nuts to ensure the unit is secured to the flange.

### Step 8:

- Reattach the liner dispenser to the frame using the four screws you removed earlier. **Fig. 6** Close and lock the liner dispenser with the included key.

### Step 9:

- Open and close the unit several times to ensure the shock is working correctly. Clean the unit and work area.

**Koala Kare Products**  
**A Division of Bobrick**

6982 South Quentin Street, Centennial, CO 80112-3945

**Main:** 303.539.8300 | **Toll Free:** 888.733.3456 | **Fax:** 303.539.8399

**Website:** koalabear.com | **Email:** customerservice@koalabear.com